

Hoshizaki America, Inc.

Modular Crescent Cuber

Models

KM-340MAH, MVWH



“A Superior Degree
of Reliability”

www.hoshizaki.com

PARTS LIST



Number: 71358
Issued: 12-16-2014
Revised: 8-10-2015

CONTENTS

Auxiliary Codes.....	3
Note About Ordering Parts	3
A. Main Assembly and Refrigeration Circuit.....	4
KM-340MAH.....	4
KM-340MWH.....	6
B. Water Circuit	8
C. Control Box Assembly	10
D. Accessories & Labels	11

Auxiliary Codes

KM-340MAH	D-0	October 2014
	E-0	May 2015
KM-340MWH	E-0	Jul 2015

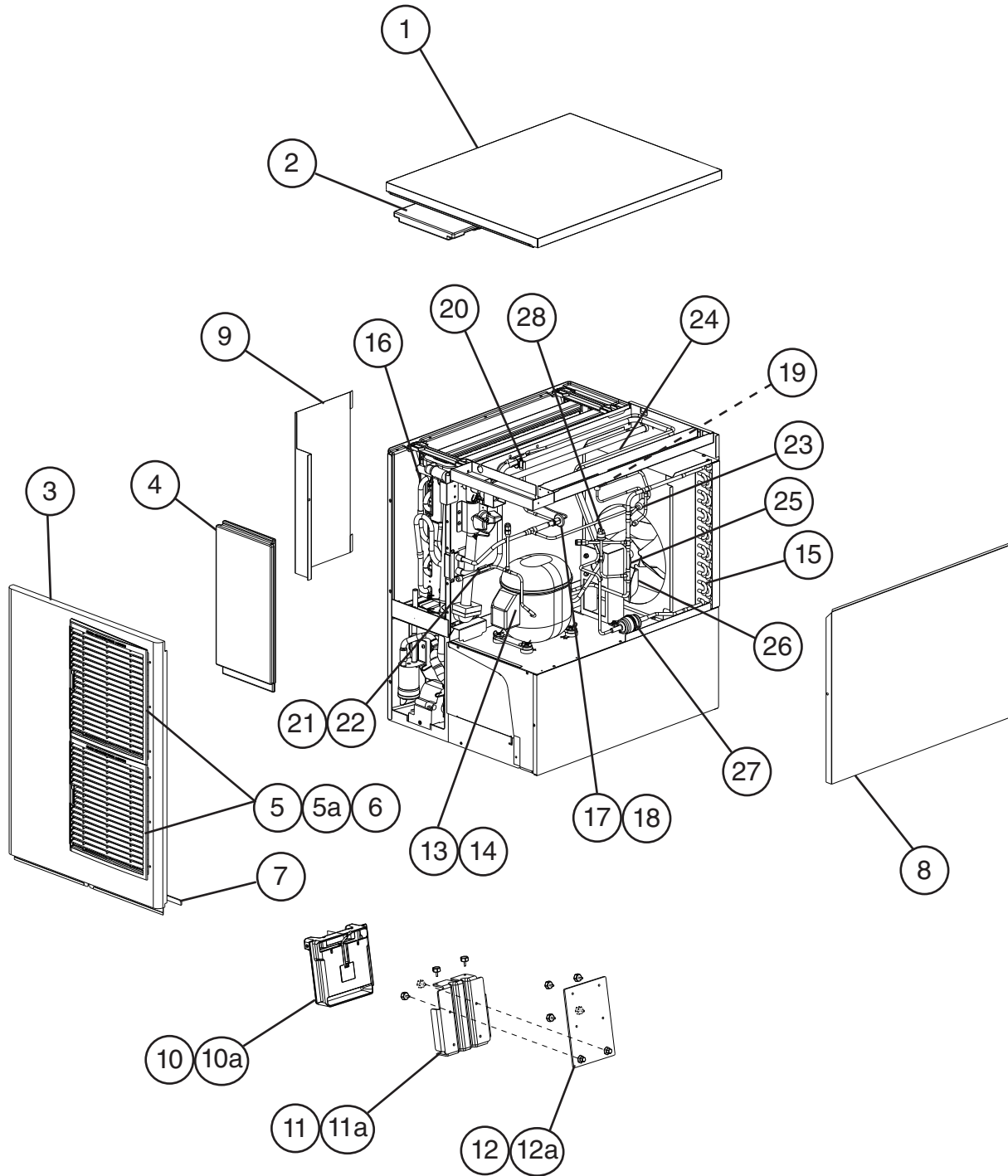
Auxiliary Code Breakdown

The auxiliary code is the first two characters in the serial number. The first character indicates the year. Years progress or regress in alphabetical order. The series runs from "A" through "V" and the letters "I" and "O" are skipped. The second character indicates significant part changes within a year. Base is "0" and this number advances for each change. In cases where there is a letter in parentheses, this designates the month. This is the last character in the serial number. The series runs from "(A)" through "(M)" and the letter "(I)" is skipped. This designation is only included when identifying a parts change within an auxiliary code.

Note About Ordering Parts

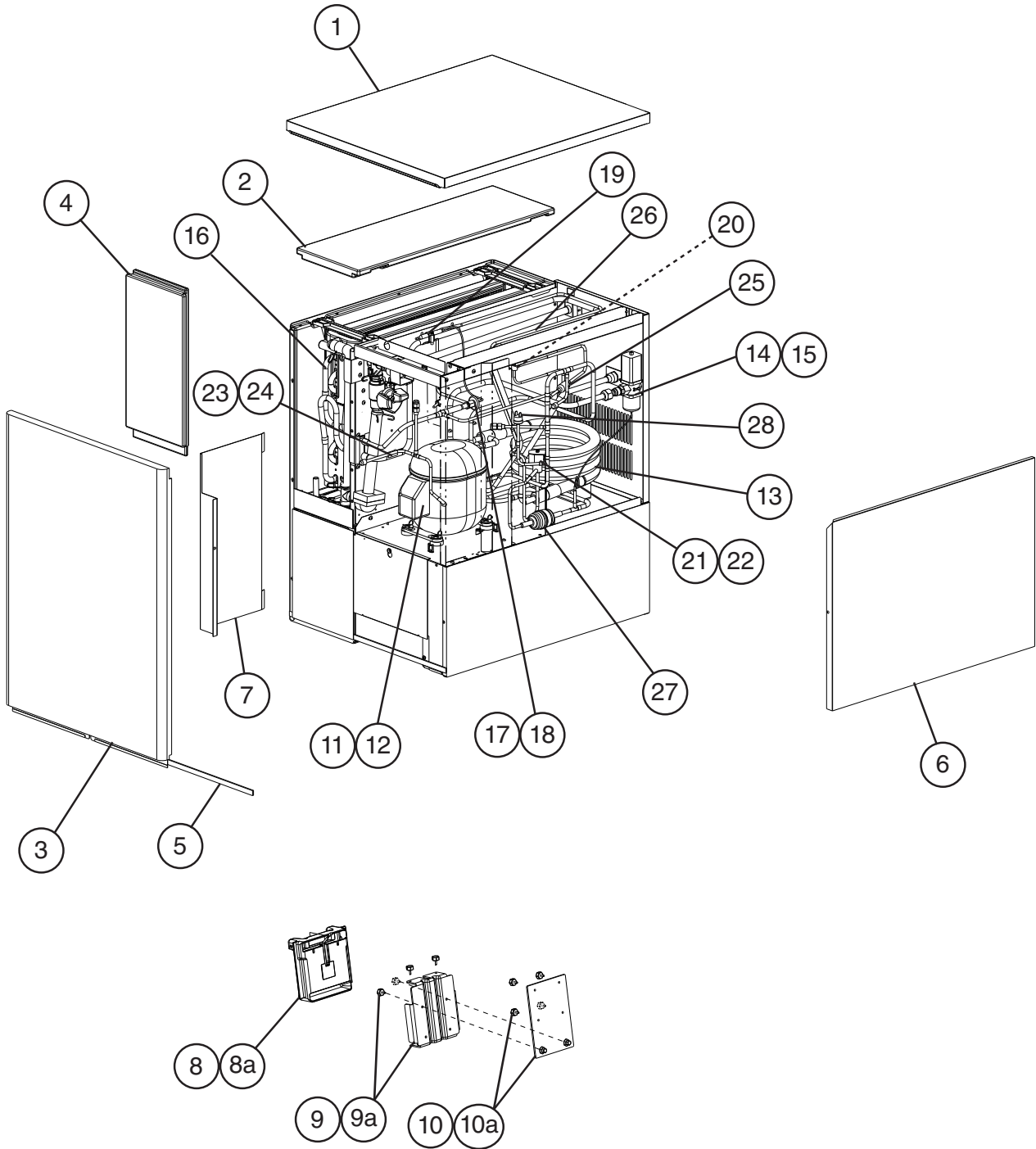
Most assemblies cannot be ordered as complete units; parts in the assemblies generally must be ordered separately.

A. Main Assembly and Refrigeration Circuit
KM-340MAH
D-0, E-0



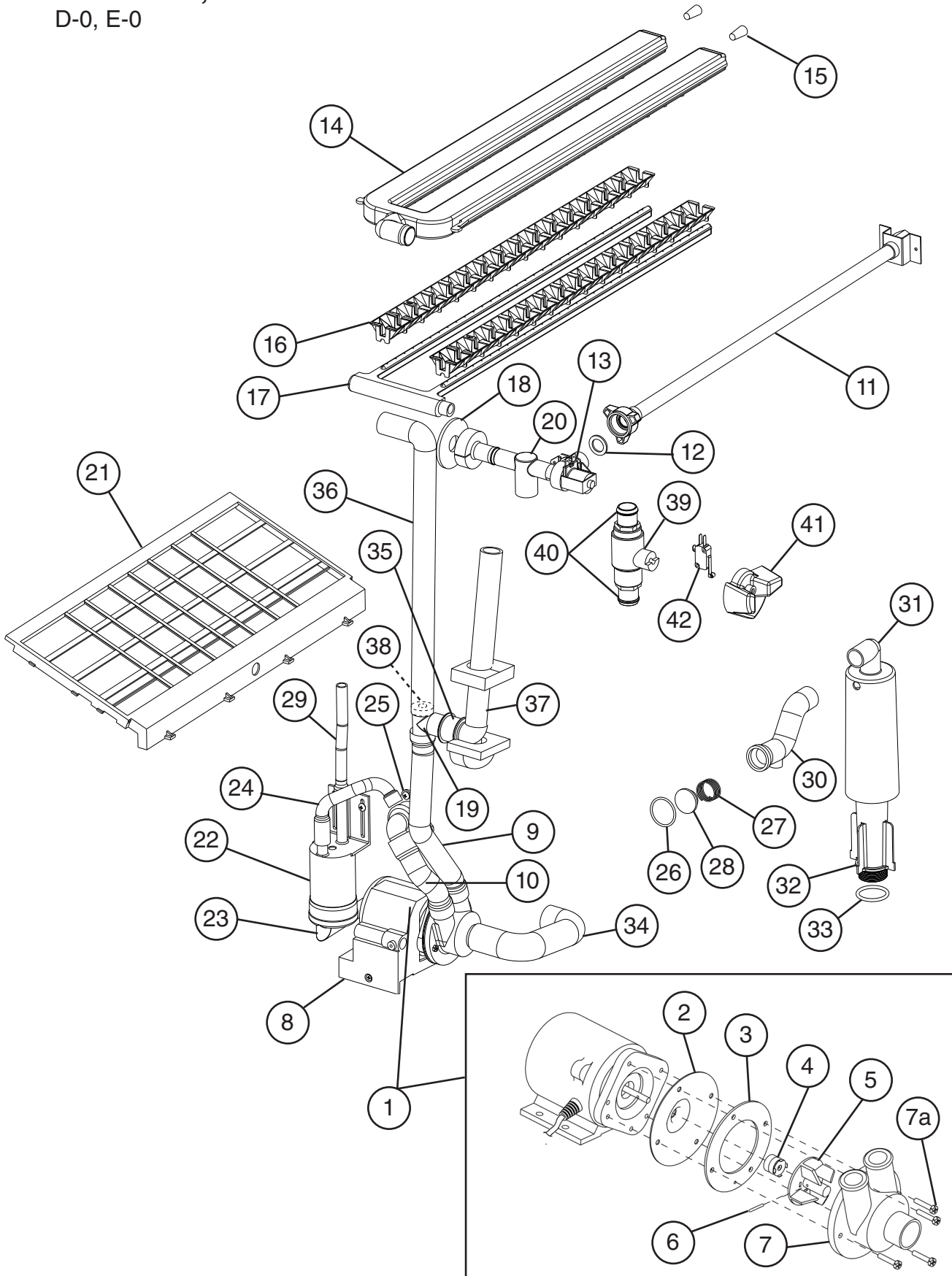
Title: A. Main Assembly and Refrigeration Circuit Model: KM-340MAH													
Index No.	Description	Material or Model Number	Part Number	Required Number									
				D-0	E-0								
Main Assembly													
1	Top Panel		3A1890A01	1	1								
2	Top Insulation		215730G01	1	1								
3	Front Panel		2A2141G01	1	-								
			2A2130-04		1								
4	Front Insulation		215731G01	1	1								
5	Louver		1A0547-01	1	2								
5a	Push Retainer		4A2414-01	3	6								
6	Air Filter		2A2062G01	1	2								
7	Gasket		4A0808L02	1	1								
8	Right Side Panel		2A2117G01	1	1								
9	Control Box Cover		3A2476-01	1	1								
10	Mechanical Bin Control		2A4393G01	1	1								
10a	Thumbscrew		415949G10	2	2								
11	Mechanical Bin Control Switch Mount		3A6040-01	1	1								
11a	Thumbscrew		415949G10	2	2								
12	Mechanical Bin Control Extension Bracket		4A5046G01	1	1								
12a	Thumbscrew		415949G10	4	4								
Refrigeration Circuit													
13	Compressor		4A2456-01	1	1								
14	Protector		4A2499-01	1	1								
15	Condenser		2A3476-01	1	1								
16	Evaporator		1A2357G01	1	1								
17	Thermostatic Expansion Valve		4A4008-01	1	1								
18	Thermostatic Expansion Valve Cover		3A0944-01	1	1								
19	Hot Gas Valve		3U0151-01	1	1								
20	Thermostatic Expansion Valve Bulb Holder		3A0107-01	1	1								
21	Thermistor		429006-03	1	1								
22	Thermistor Holder		427430-01	1	1								
23	Strainer		441569-01	1	1								
24	Heat Exchanger		2A3428G01	1	1								
25	Fan Motor		4A3158-01	1	1								
26	Fan Blade		4A3959-01	1	1								
27	Drier		4A2666-01	1	1								
28	High-Pressure Switch		463180-04	1	1								

A. Main Assembly and Refrigeration Circuit
KM-340MWH
E-0



Title: A. Main Assembly and Refrigeration Circuit Model: KM-340MWH											
Index No.	Description	Material or Model Number	Part Number	Required Number							
				E-0							
Main Assembly											
1	Top Panel		3A1890A01	1							
2	Top Insulation		215730G01	1							
3	Front Panel		2A2150G01	1							
4	Front Insulation		215731G01	1							
5	Gasket		4A0808L02	1							
6	Right Side Panel		2A2117G01	1							
7	Control Box Cover		3A2476-01	1							
8	Mechanical Bin Control		2A4393G01	1							
8a	Thumbscrew		415949G10	2							
9	Mechanical Bin Control Switch Mount		3A6040-01	1							
9a	Thumbscrew		415949G10	2							
10	Mechanical Bin Control Extension Bracket		4A5046G01	1							
10a	Thumbscrew		415949G10	4							
Refrigeration Circuit											
11	Compressor		4A2456-01	1							
12	Protector		4A2499-01	1							
13	Condenser		3A7321-01	1							
14	Water Regulator		4A0911-06	1							
15	Male Connector		4A1087-01	1							
16	Evaporator		1A2357G01	1							
17	Thermostatic Expansion Valve		4A4008-01	1							
18	Thermostatic Expansion Valve Cover		3A0944-01	1							
19	Thermostatic Expansion Valve Bulb Holder		3A0107-01	1							
20	Hot Gas Valve		3U0151-01	1							
21	Liquid Line Valve Body		440352-01	1							
22	Valve Coil		440353-01	1							
23	Thermistor		429006-03	1							
24	Thermistor Holder		427430-01	1							
25	Strainer		441569-01	1							
26	Heat Exchanger		2A3428G01	1							
27	Drier		4A2666-01	1							
28	High-Pressure Switch		463180-05	1							

B. Water Circuit
KM-340MAH, KM-340MWH
D-0, E-0

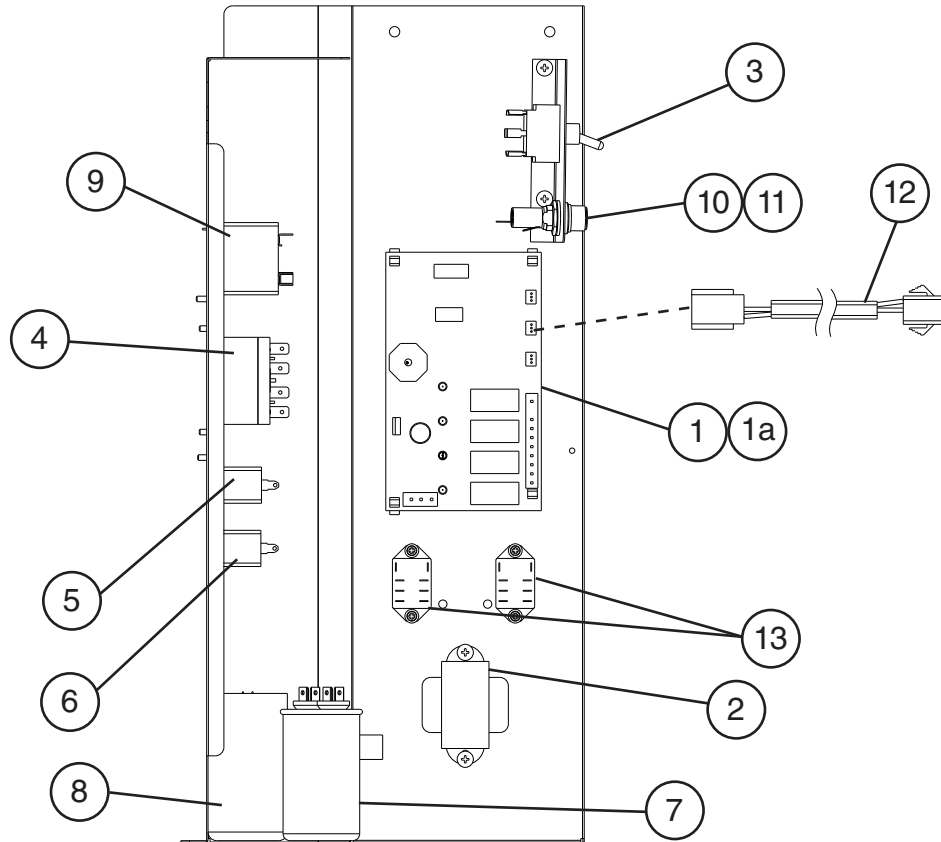


Title: B. Water Circuit Model: KM-340MAH, KM-340MWH

Index No.	Description	Material or Model Number	Part Number	Required Number																
				D-0	E-0															
1	Pump Motor Assembly (includes items 2 through 7a and capacitor 443192-03)		PA0613	1																
2	Pump Flange		3A2988-01	1																
3	Pump Gasket		4A2974-01	1																
4	Mechanical Seal		465627-01	1																
5	Impeller		433522-01	1																
6	Pin		4A0648-01	1																
7	Pump Housing		211409-01	1																
7a	Screw	4x20	4A3871-01	4																
8	Pump Motor Bracket		211408-01	1																
9	Vinyl Hose	L=250 mm	7716-2025	1																
10	Vinyl Hose	L=110 mm	7716-2025	1																
11	Water Supply Pipe		4A5216G04	1																
12	Rubber Gasket		413854-03	1																
13	Inlet Water Valve		4A5251-06	1																
14	Spray Tube		1A0260-02	1																
15	Plug		4A0176-01	2																
16	Spray Guide		2A4282-02	2																
17	Water Supply Tube		2A0079-01	1																
18	Flange		439267-01	1																
19	Distributor		432426-01	1																
20	Tee		4A0177-01	1																
21	Cube Guide		212088-01	1																
22	Float Switch		4A3624-01	1																
23	Float Switch Connector		426799-01	1																
24	Silicone Hose	L=140 mm	773013812	1																
25	Drain Valve Housing		321001-01	1																
26	Drain Valve O-Ring		7611-G035	1																
27	Drain Valve Spring		322110-01	1																
28	Drain Valve Seat		433705-01	1																
29	Silicone Hose	L=140 mm	773013896	1																
30	Drain Hose		433468-01	1																
31	Overflow Cap		321002-01	1																
32	Overflow Pipe		430722-03	1																
33	Overflow Pipe O-Ring		4A1234-01	1																
34	Suction Hose		433466-01	1																
35	Rubber Ring		439236-01	1																
36	Rubber Hose C		4A1551-03	1																
37	Rubber Hose D		4A1551-04	1																
38	Reducing Pipe		4A5767-01	1																
39	Cleaning Valve Ball Valve		439293-01	1																
40	Cleaning Valve Male Adaptor		325826-01	2																
41	Cleaning Valve Handle		215383-01	1																
42	Cleaning Valve Microswitch		4A2546-01	1																

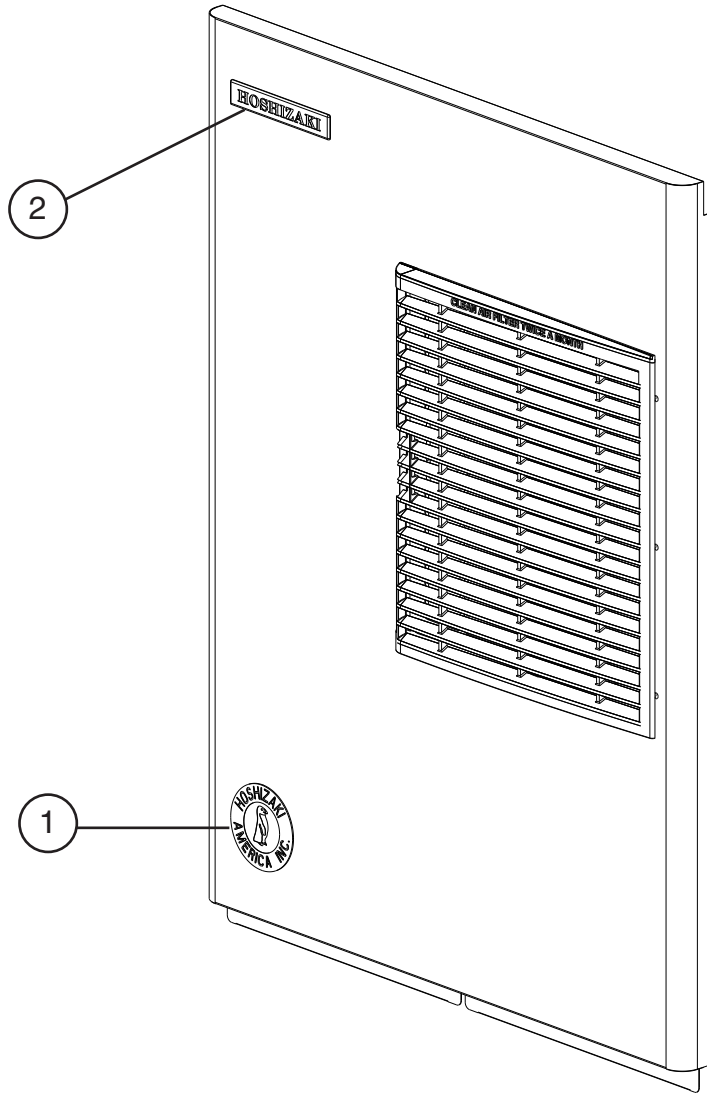
Title: B. Water Circuit Model: KM-340MAH, KM-340MWH												
Index No.	Description	Material or Model Number	Part Number	Required Number								
				D-0								
Hose Clamps												
	Hose Clamp	25 mm	427443-03	9								
	Hose Clamp	18 mm	427443-05	1								
	Hose Clamp	20 mm	427443-06	1								

C. Control Box Assembly
KM-340MAH, KM-340MWH
 D-0, E-0



Title: C. Control Box Assembly Model: KM-340MAH, KM-340MWH					Required Number							
Index No.	Description	Material or Model Number	Part Number	D-0								
				E-0								
1	"G" Control Board		2A3792-01	1								
1a	Control Board Support		4A0336-03	4								
2	Control Transformer		3A0172-01	1								
3	Control Switch		443119-01	1								
4	Compressor Relay		4A3140-01	1								
5	Pump Motor Capacitor	5.5MFD, 250VAC	443192-03	1								
6	Fan Motor Capacitor	5.0MFD, 250VAC	443192-02	1								
7	Run Capacitor	20MFD, 440VAC	3A2005-01	1								
8	Start Capacitor	72-86MFD, 330VAC	3A1414-01	1								
9	Start Relay		4A1107-14	1								
10	Fuse Holder		4A5443-01	1								
11	Fuse	AGC-10A, 250VAC	4A0893-07	1								
12	Bin Control Wire Harness		4A2200G04	1								
13	Relay (X10-pump direction relay and X11-X10 control relay)		406132-07	2								

D. Accessories & Labels
KM-340MAH, KM-340MWH
 D-0, E-0



Title: D. Accessories & Labels Model: KM-340MAH, KM-340MWH					Required Number								
Index No.	Description	Material or Model Number	Part Number	D-0									
				E-0									
1	Penguin Label		4A0526-01	1									
2	Hoshizaki Emblem		4A0560-01	1									
3	Universal Brace		4A0363-01	2									
3a	Hex Head Bolt	5x12	7B02-0512	2									